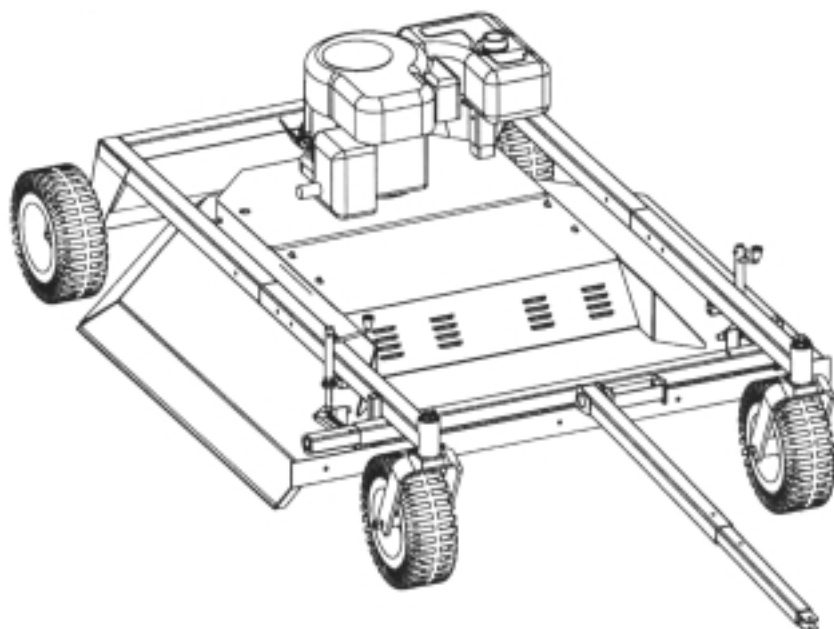


**SWLSHER**

**OWNER'S  
MANUAL**



**MODEL NO.  
RT1250E  
RT13501**

**50" CUTTER**



**CAUTION:**

Read and follow all Safety  
Rules and Instructions Before  
Operating This Equipment.

Rev. 2.21.00

**Assembly  
Operation  
Service and Adjustment  
Repair Parts**

**SWLSHER**

P.O. BOX 67, WARRENSBURG, MISSOURI 64093 PHONE 660-747-8183 FAX 660-747-8650

**Manufacturing quality lawn care equipment since 1945**

*Made in The*  
**USA**

# LIMITED WARRANTY

The manufacturers' warranty to the original consumer purchaser is: This product is free from defects in materials and workmanship, for a period of one (1) year from the date of purchase by the original consumer purchaser. We will repair or replace, at our discretion, parts found to be defective due to materials or workmanship. This warranty is subject to the following limitations and exclusions:

- 1) Engine Warranty      All engines utilized on our products have a separate warranty extended to them by the individual engine manufacturer. Any engine service difficulty is the responsibility of the engine manufacturer, and in no way is Swisher Mower Co., Inc. or its agents responsible for the engine warranty. The Briggs & Stratton Engine Service Hot-Line is 1-800-233-3723.
- 2) Commercial Use      The warranty period for any product used for commercial or rental purposes is limited to ninety (90) days from the date of original purchase.
- 3) Limitations      This warranty applies only to products which have been properly assembled, adjusted, and operated in accordance with the instructions contained within this manual. This warranty does not apply to any product of Swisher Mower Co., Inc., that has been subject to alteration, misuse, abuse, improper assembly or installation, shipping damage, or to normal wear of the product.
- 4) Exclusions      Excluded from this warranty are normal wear, normal adjustment and normal maintenance.

In the event you have a claim under this warranty, you must return the product to an authorized service dealer. All transportation charges, damage and loss incurred during transportation of parts submitted for replacement or repair under this warranty shall be borne by the purchaser. Should you have any questions concerning this warranty, please contact us toll-free 1-800-222-8183. The model number, serial number, date of purchase, and the name of the authorized Swisher dealer from whom you purchased the mower will be needed before any warranty claim can be processed.

**THIS WARRANTY DOES NOT APPLY TO ANY INCIDENTAL OR CONSEQUENTIAL DAMAGES AND ANY IMPLIED WARRANTIES ARE LIMITED TO THE SAME TIME PERIODS STATED HEREIN FOR ALL EXPRESSED WARRANTIES.** Some states do not allow the limitation of consequential damages or limitations on how long an implied warranty may last, so the above limitations or exclusions may not apply to you. This warranty gives you specific legal rights, and you may have other rights which vary from state-to-state. This is a limited warranty as defined by the Magnuson-Moss Act of 1975.

# SAFETY INSTRUCTIONS



This Safety Alert Symbol indicates important messages in this manual. When you see this symbol, carefully read the message that follows and be alert to the possibility of personal injury.

Read this manual completely. This machine is capable of amputating hands and feet, and throwing objects. Failure to observe the following safety instructions could result in serious injury or death.

- Read the manual. Learn to operate this machine safely.
- Always disconnect the spark plug wire and place the wire where it cannot contact the spark plug, to prevent accidental starting the engine when setting up, transporting, adjusting or making repairs.
- Keep all shields and guards in place.
- Understand the speed, steering and stability of this machine. Know the positions and operations of all controls before you operate this machine. Check all of the controls in a safe area before starting to work with this machine.
- Allow only responsible adults who are familiar with these instructions to operate this machine. Never allow children to operate this machine.
- Clear the area of objects such as rocks, toys, wire, etc. that can be picked up and thrown by the blade.
- Be sure the area is clear of other people before mowing. Be aware of the mower discharge direction and do not point at anyone. Stop the machine if anyone enters the mowing area. Children are often attracted to the machine and the mowing activity. ***Never assume that children will remain where you last saw them.*** Keep children under the watchful care of another responsible adult.
- **No riders!**
- Do not put hands or feet near or under rotating parts. Keep clear of the discharge of opening at all times.
- Do not mow in reverse. Always look down and behind before and while backing.
- Turn off the blades when not mowing. Before leaving the machine, turn off the blades and stop the engine.
- Watch for traffic when operating near or crossing roadways.
- Do not operate the mower if it has been dropped or damaged in any manner or if the mower vibrates excessively. Excessive vibration is an indication of damage. Repair mower has necessary.
- Dress properly. Do not operate the mower when barefoot or wearing open sandals. Wear only solid shoes with good traction when mowing.
- Do not operate the machine while under the influence of alcohol or drugs.
- Operate self-propelled machines up and down slopes. There is significant risk of overturns when operating across slopes. Operate walk-behind machines across slopes. There is a significant risk of slipping under a walk-behind machine when operating up and down slopes.
- Never tamper with safety devices. Check their proper operation regularly.
- Stop and inspect the equipment if you strike an object. Repair, if necessary, before restarting.
- Never make adjustments or repairs with the engine running.
- Mower blades are sharp and can cut. Wrap the blades or wear gloves, and use extra caution when servicing them.

## SAFETY AND OPERATIONAL DECALS

Replace decal immediately if damaged. Order by part number from Swisher Mower and Machine Co. Inc.



### **SERIOUS INJURY OR DEATH CAN OCCUR**

- MOVING PARTS – SHARP BLADES – THROWN OBJECTS—POSSIBILITY OF ROLL OVER—
- GO UP AND DOWN SLOPES, NOT ACROSS.
- AVOID SUDDEN TURNS, SUDDEN CHANGES IN DIRECTION, SUDDEN CHANGES IN SPEED.
- IF MACHINE STOPS GOING UPHILL, STOP BLADE AND BACK SLOWLY DOWN.
- BE EXTRA CAUTIOUS ON ALL SLOPES AND UNEVEN SURFACES.
- DO NOT MOW WHEN CHILDREN OR OTHERS ARE AROUND.
- NEVER CARRY CHILDREN OR OTHERS AS PASSENGERS.
- LOOK DOWN AND BEHIND BEFORE AND WHILE BACKING.
- KEEP SAFETY DEVICES (GUARDS, SHIELDS, AND SWITCHES) IN PLACE AND WORKING.
- REMOVE OBJECTS THAT COULD BE THROWN BY THE BLADE.
- KNOW SAFE OPERATING INSTRUCTIONS BEFORE STARTING ENGINE.

**— READ OPERATORS GUIDE FIRST —**

D30 – WARNING DECAL



D29 – DANGER DECAL

## SAFETY AND OPERATIONAL DECALS

Replace decal immediately if damaged. Order by part number from Swisher Mower and Machine Co. Inc.



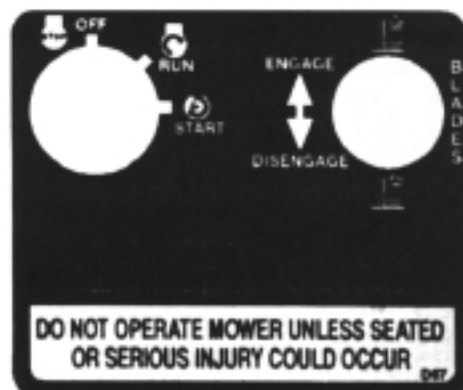
D36 – DEFLECTOR DECAL



D11 – NO STEP DECAL



D55 – TRIANGLE DANGER DECAL



D57 – CONSOLE DECAL



D20 – CAUTION DECAL



D33 – SPEED DECAL



D56 – ENGINE POWER DECAL

# OPERATING YOUR NEW CUTTER

## WEAR YOUR

SAFETY GLASSES

FORESIGHT IS BETTER  
THAN NO SIGHT

The operation of any mower can result in foreign objects being thrown into the eyes, which can result in severe eye damage. Always wear safety glasses or eye shields before starting your mower and while mowing. We recommend wide vision safety mask for over the spectacles or standard safety glasses.



### CAUTION:

TRAGIC ACCIDENTS CAN OCCUR IF OPERATOR IS NOT ALERT TO THE PRESENCE OF CHILDREN. CHILDREN ARE OFTEN ATTRACTED TO THE MACHINE AND THE MOWING ACTIVITY. NEVER ASSUME THAT CHILDREN WILL REMAIN WHERE YOU LAST SAW THEM.

## STOPPING

- Move clutch switch to the disengaged position.
- Turn key switch to OFF position.

## ATTACHING CUTTER TO TOW VEHICLE

- Place cutter behind tractor and back up to it for attaching.
- Slide tow bar of cutter over tractor drawbar so that holes line up.
- Insert hitch pin until it extends through the bottom of the tow bar.
- Place safety latch over the end of the hitch pin.
- Secure control console to tractor, making sure it can be reached from the operating position. Strips of velcro and an alcohol wipe are provided. Place console on rack to find best location, note rack bars under console. Use alcohol wipe to clean rack bars where velcro is to be placed. Remove backing of velcro hook side and place on rack bars. Stick loop side of velcro onto velcro strips on rack bars. Use alcohol wipe to clean back of console. Remove backing on the velcro. Place console onto velcro strips. Press down on console to ensure complete adhesion. Allow adhesive to cure (8 hours) before trying to remove console. Use provided velcro straps to secure control cable to cutter frame, hitch and tractor.

**IMPORTANT:** Make sure control cable is unrestrained through the turning range of the tractor.

## TRANSPORTING YOUR CUTTER

- Disengage the blade.
- Shut off cutter engine.
- Place cutter deck in the highest position.

## STARTING TO CUT



**CAUTION! NEVER OPERATE CUTTER WHEN NOT SEATED. SERIOUS INJURY COULD OCCUR.**

- Starting the engine: To start the engine, be sure that the blade control switch is in the disengaged position. Turn key switch to the start position and release when engine begins running. **NOTE:** There is a center position on the blade switch that disconnects everything. **If you can not get the engine to start, be sure this switch is in the fully down disengaged position.**
- Engaging the blade: Move switch from the disengaged position up to the engaged position.
- Disengaging the blade: Move the switch from the engaged position down to the disengaged position.

**Important:** Make sure all bystanders are clear before engaging blade.

**Important:** Know the area you are about to cut. Tall grass can hide foreign objects and holes.



### CAUTION:

SHUT OFF MOWER ENGINE AND REMOVE SPARK PLUG WIRE FROM SPARK PLUG BEFORE MAKING ANY ADJUSTMENTS TO THE MOWER.

## CUTTER HEIGHT ADJUSTMENT

The cutting height range of this unit is approximately 3 to 6 inches. Heights are measured from the ground to the blade tip with the engine not running. If cutting heavy or tall grass it will help discharge if the back of the unit is slightly higher than the front. Rotate height adjustment crank handles in a clockwise direction to raise the cutter and in a counter clockwise direction to lower. Make sure that height adjustment is the same on both sides of the mower, as indicated by the graduated scales on the height adjustment tubes. **Graduated scales are for reference only.**

# OPERATING YOUR NEW CUTTER

## BEFORE STARTING ENGINE

- Fill engine with oil. (See engine manual for proper procedure and requirements.)
- Add gasoline. Fill fuel tank using fresh clean unleaded gas.



**CAUTION:**  
FILL TO BOTTOM OF FUEL TANK FILLER NECK. DO NOT OVERFILL. WIPE OFF SPILLED OIL OR FUEL. DO NOT STORE, SPILL OR USE GASOLINE NEAR OPEN FLAME.

## TO START ENGINE



**CAUTION:**  
KEEP THE BLADE CLUTCH LEVER IN "DISENGAGED" POSITION WHEN STARTING ENGINE.

- Make sure spark plug wire is properly connected.
- Place throttle control in "CHOKE" position if the engine is cold. A warm engine may not require choking to start.
- Turn key to start position. Release key immediately when engine starts.
- When engine starts, move throttle control to the "RUN" position. (full throttle)
- Allow engine to warm up for a few minutes before engaging blades.

**NOTE:** If at a high altitude (above 3000 feet) or in cold temperatures (below 32F), the carburetor fuel mixture may need to be adjusted for best performance. (See Service and Adjustments section of the engine manual.)

## BREAKING IN YOUR CUTTER

- Break in your belts, pulleys, and engine before you actually begin mowing.
- Start engine, engage blade control to start blades rotating and allow blades to rotate for approximately five minutes to break in mower and engine.



**CAUTION:**  
CHECK AREA UNDER AND AROUND MOWER FOR ANY OBJECTS THAT COULD BE THROWN FROM UNDER MOWER. MAKE SURE THAT MOWER DISCHARGE AREA IS CLEAR.



**CAUTION:**  
TRAGIC ACCIDENTS CAN OCCUR IF THE OPERATOR IS NOT ALERT TO THE PRESENCE OF CHILDREN. CHILDREN ARE OFTEN ATTRACTED TO THE MACHINE AND THE MOWING ACTIVITY. NEVER ASSUME THAT CHILDREN WILL REMAIN WHERE YOU LAST SAW THEM.



**CAUTION:**  
NEVER CARRY CHILDREN. THEY MAY FALL OFF AND BE SERIOUSLY INJURED OR INTERFERE WITH SAFE OPERATION.

## SUGGESTED PRACTICES

- Mowing should be started with tractor in low gear and speed increased only as mowing conditions will safely permit. This speed should not exceed 3 1/2 mph.
- Better mowing results will be obtained in grassy areas if they are mowed when the grass is approximately 4" to 5" maximum height. While your mower will cut grass taller than 5", you will experience a substantial increase in the horsepower required and some change in the finished appearance of the area mowed.
- Mowing conditions will vary from place to place, including the types of grass which are being mowed, such as fine stalk, coarse stalk, dense or sparse grasses. When mowing tall grass you may find that the pressure of wheel tracks may cause certain grasses to be pushed downward and will not be mowed properly. If this condition exists you may have to mow the area twice, the first mowing with the mower raised and the second mowing at the normal height that you have chosen. If it is practical, better results will be found if the second mowing is at right angle in travel to the previous mowing.
- Do not mow grass when it is wet. Wet grass will accumulate under the mower deck and leave undesirable clumps. Allow grass to dry before mowing.
- Always operate mower engine at full throttle when mowing to assure better mowing performance and proper discharge of material. Regulate ground speed by selecting a low enough gear to give the mower cutting performance as well as the quality of cut desired.

# CUTTER MAINTENANCE

## GENERAL RECOMMENDATIONS

The warranty on this cutter does not cover items that have been subjected to operator abuse or negligence. To receive full value from the warranty, operator must maintain unit as instructed in this manual.

Some adjustments will need to be made periodically to maintain your unit properly.

All adjustments in the service and adjustments section of this manual should be checked at least once each season.

## BEFORE EACH SEASON

- Replace the spark plug.
- Clean or replace the air filter.
- Check blades and belts for wear.

A new spark plug and clean air filter assure proper air-fuel mixture and help your engine run better and last longer.

## BEFORE EACH USE

- Check engine oil level. (Do this twice to insure an accurate reading.)
- Check blade operation.
- Check for loose fasteners.

## DAILY MAINTENANCE

Make sure all nuts and bolts are tight, cotter pins and retainer springs are secure. Keep blades sharp. Observe all safety precautions.

## BLADE CARE AND SERVICE

For best results cutter blades must be kept sharp. The blades can be sharpened with a few strokes of a file or grinding wheel. Do Not attempt to sharpen while on the cutter.

**Important:** Replace blades that have been damaged or deeply nicked.

**Important:** Check blade and spindle hardware on a regular basis to make sure nuts are tight.



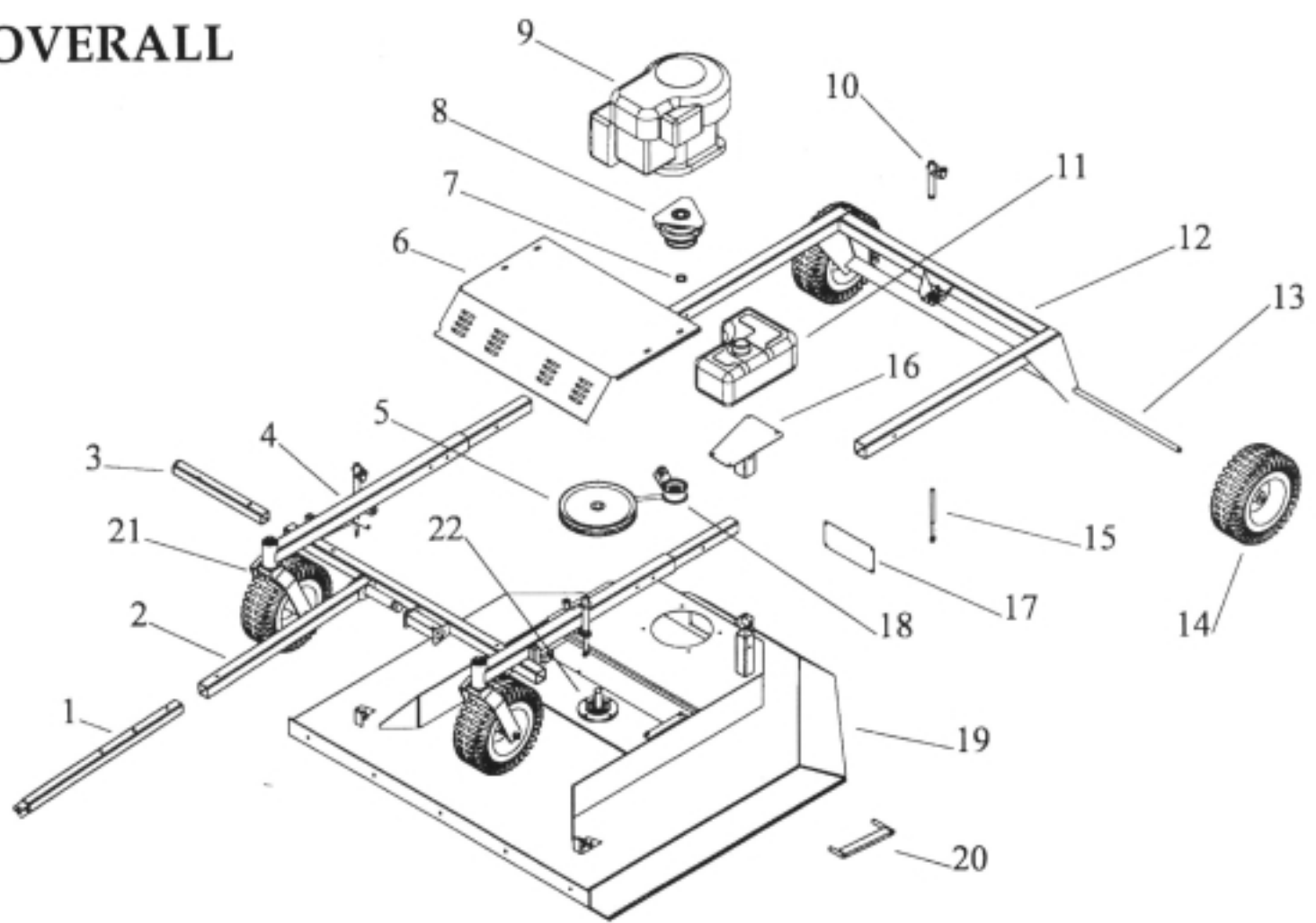
**CAUTION:**  
DO NOT HANDLE MOWER BLADES  
WITH BARE HANDS. CARELESS OR IM-  
PROPER HANDLING MAY RESULT IN  
SERIOUS INJURY.

## REPAIR PARTS

Your cutter has been produced with components designed for your unit. Although standard V-belts, bearings, blades, pulleys, etc. may look like parts used elsewhere, many areas of a different construction and could, in some cases cause a malfunction in the operation of the machine.



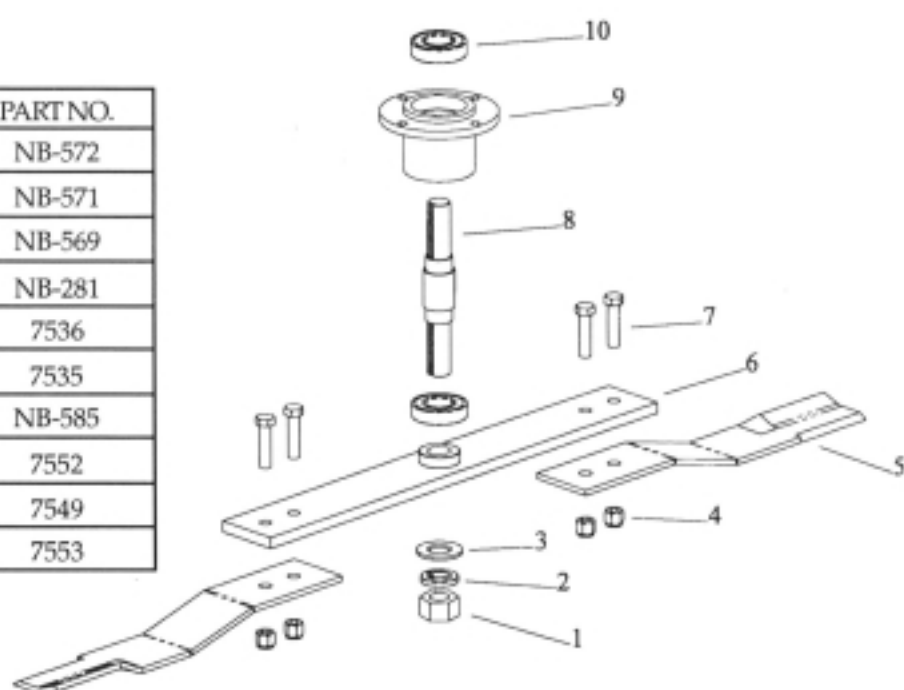
# OVERALL



ITEM NO.	DESCRIPTION	PART NO.	ITEM NO.	DESCRIPTION	PART NO.
1	HITCH TUBE	661	18	IDLER ARM ASSEMBLY	SEE DETAIL
2	HITCH TUBE BACK	661A	19	DECK WELDMENT	7500
3	HITCH EXTENSION	7531	20	STABILIZER ARM, LEFT	700
4	FRONT FRAME	7527		STABILIZER ARM, RIGHT	701
5	10" DOUBLE PULLEY	7542	21	CASTER ASSEMBLY	SEE DETAIL
	BLADE DRIVER NUT	A108	22	BLADE ASSEMBLY	SEE DETAIL
6	BELT COVER	7524	*	PLASTIC BUSHING	T2PB
7	CLUTCH SPACER	7515	*	V BELT	66LR
8	ELECTRIC CLUTCH	7514	*	STARTER SOLENIOD	SOLNEW
9	ENGINE	NA	*	CONSOLE	
10	HEIGHT ADJUST CRANK	H7N	*	HITCH SWIVEL	H10
11	GAS TANK	6102T	*	CLEVIS PIN	H11
	GAS TANK CAP	6102TC	*	CLUTCH RESTRAINT STRAP	7519
	RUBBER BUSHING	AS119	*	VELCRO CABLE TIES	7033
	FUEL SHUTOFF	AS120	*	BATTERY CABLE	BC24
12	REAR FRAME	7526	*	BATTERY HOLD DOWN	BHOLD
13	AXLE	664N	*	RUBBER GUARD	7539
14	REAR TIRE W/SEALER	F4157WS	*	GUARD STRAP	7538
15	THREADED LINK	6599			
16	GAS TANK MOUNT	7520	*	NOT SHOWN	
17	REAR COVER	7560			

# BLADE

ITEM NO.	DESCRIPTION	PART NO.
1	NUT 1" FINE THD	NB-572
2	LOCK WASHER 1"	NB-571
3	FLAT WASHER 1"	NB-569
4	NYLOC NUT 1/2-13	NB-281
5	BLADE	7536
6	BLADE CARRIER	7535
7	BOLT 1/2-13 GRADE 8	NB-585
8	SPINDLE SHAFT	7552
9	SPINDLE HOUSING	7549
10	BEARING	7553



## BELT CONFIGURATION

### ELECTRIC CLUTCH PULLEY



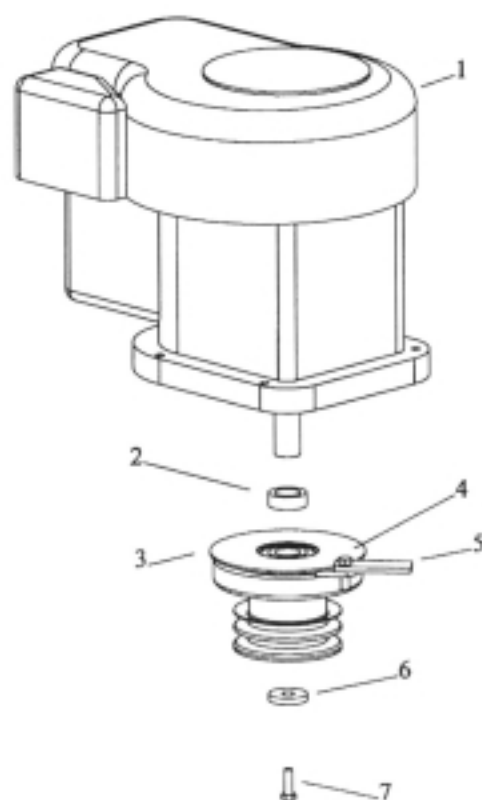
IDLER PULLEY

2 - V BELT  
PART # 66LR

NOTE: THERE ARE 2  
IDENTICAL BELTS  
WITH THE SAME  
CONFIGURATION

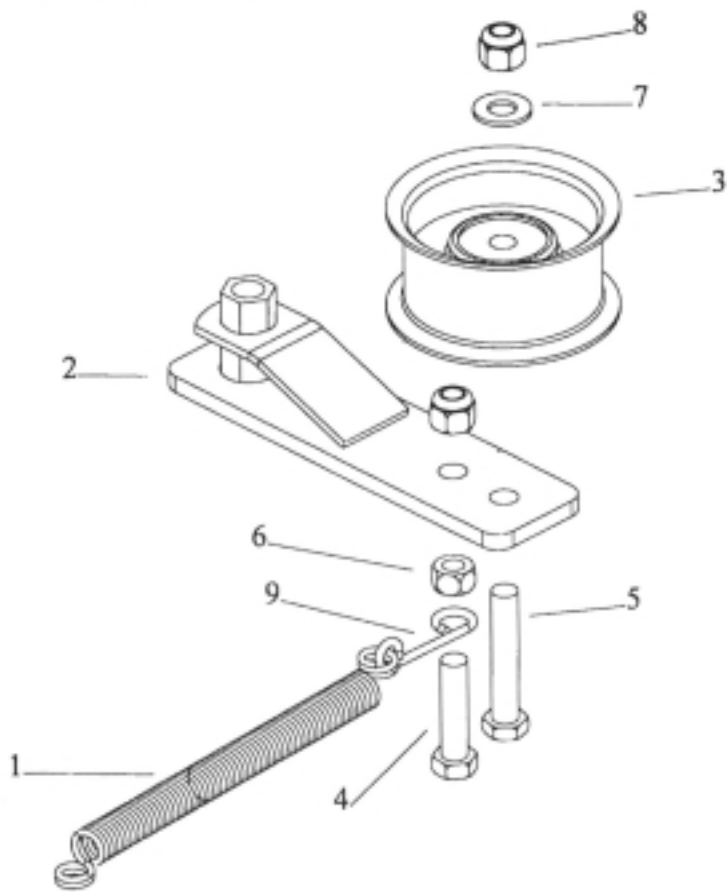
BLADE PULLEY

## ELECTRIC CLUTCH



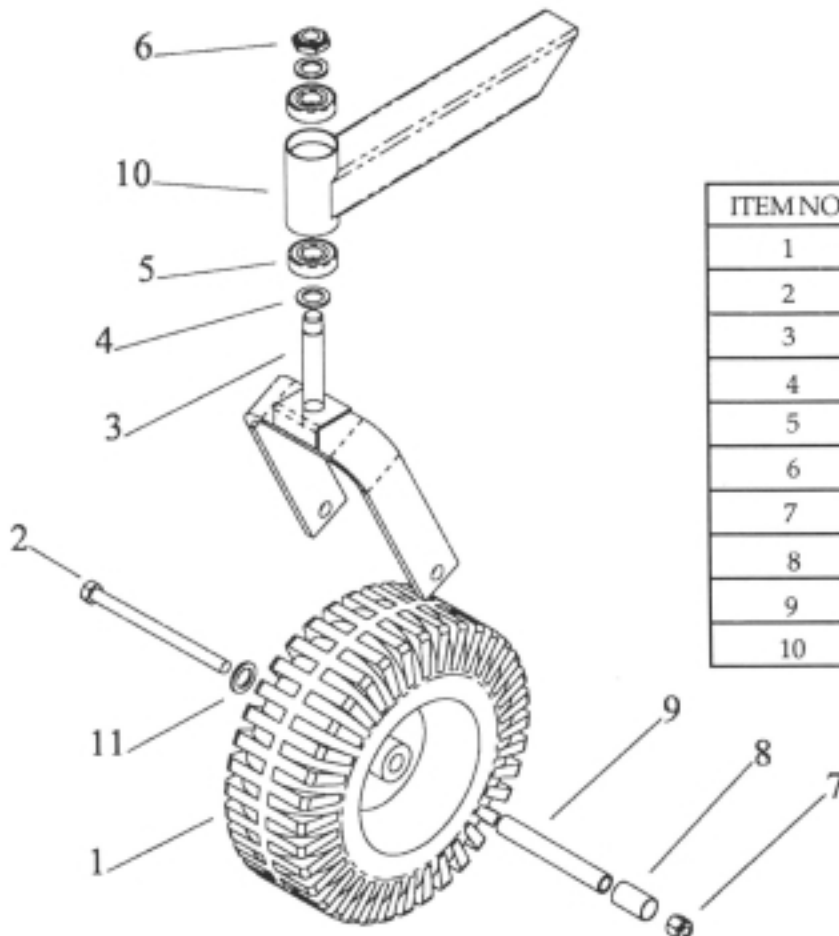
ITEM NO.	DESCRIPTION	PART NO.
1	ENGINE	NA
2	UPPER SPACER	7040
3	ELECTRIC CLUTCH	7514
4	BOLT	NB501
5	RUBBER FLAP	7519
6	LOWER SPACER	7039
7	BOLT	NB501

# IDLER ARM



ITEM NO.	DESCRIPTION	PART NO.
1	IDLER SPRING	682S
2	IDLER ARM	7517
3	IDLER PULLEY	7509
4	BOLT	NB107
5	BOLT	NB198
6	NUT	NB212
7	WASHER	NB272
8	NYLOC NUT	NB182

# CASTER ASSEMBLY



ITEM NO.	DESCRIPTION	PART NO.
1	FRONT TIRE W/SEALANT	F4157WFS
2	BOLT	670
3	CASTER FORK	665
4	CASTER SPACER	665BW
5	BEARING	B98
6	LOCKNUT	665N
7	LOCKNUT	T2K
8	CASTER SLEEVE	663L
9	AXLE SLEEVE	691
10	FRAME WELDMENT	SEE OVERALL

The logo for Swisher, featuring the word "SWISHER" in a bold, italicized, sans-serif font with a horizontal line underneath.

## OWNER'S MANUAL

MODEL NO.  
RT1250E  
RT13501

# 50" CUTTER

### HOW TO ORDER REPAIR PARTS.

Each mower has its own model number. Each engine has its own model number. The model number for the mower will be found on the right hand side of the drive belt housing. The model number for the engine will be found on the top of the blower fan housing.

All mower parts listed herein may be ordered directly from Swisher Mower & Machine Co. Inc. or your nearest Swisher Dealer.

All engine parts may be ordered from the nearest dealer of the engine supplied with your mower.

WHEN ORDERING PARTS, PLEASE HAVE THE FOLLOWING INFORMATION AVAILABLE:

- \* PRODUCT - TRAILMOWER
- \* SERIAL NUMBER - \_\_\_\_\_
- \* MODEL NUMBER - \_\_\_\_\_
- \* ENGINE MODEL NUMBER - \_\_\_\_\_  
TYPE - \_\_\_\_\_
- \* PART NUMBER
- \* PART DESCRIPTION

TELEPHONE 1-800-222-8183  
FAX - 1-660-747-8650

SWISHER MOWER & MACHINE CO. INC.  
333 E. GAY ST. • P.O. BOX 67  
WARRENSBURG, MO 64093

A large, stylized version of the Swisher logo, with the word "SWISHER" in a bold, italicized, sans-serif font and a horizontal line underneath.

SWISHER MOWER & MACHINE CO. INC.