



Installing and Upgrading Memory in Cisco 1700 Series Routers

This document describes how to install or upgrade memory in the Cisco 1720, Cisco 1721, Cisco 1750, Cisco 1751, Cisco 1751-V, Cisco 1760, and Cisco 1760-V routers.



Note

The memory in the Cisco 1710-VPN-M/K9 router cannot be upgraded.

Contents

The following sections are included in this document:

- [Memory Options and Upgrade Kits, page 2](#)
- [Safety Warnings, page 3](#)
- [Opening the Chassis of a Desktop Router, page 9](#)
- [Opening the Chassis of a Rack-Mount Router, page 10](#)
- [Locating Modules, page 11](#)
- [Installing a Mini-Flash Module, page 16](#)
- [Installing a Dual In-Line Memory Module, page 17](#)
- [Installing a SIMM, page 18](#)
- [Closing the Chassis of a Desktop Router, page 19](#)
- [Closing the Chassis of a Rack-Mount Router, page 20](#)
- [Obtaining Documentation, page 20](#)
- [Documentation Feedback, page 21](#)
- [Cisco Product Security Overview, page 22](#)
- [Obtaining Technical Assistance, page 23](#)
- [Obtaining Additional Publications and Information, page 24](#)



Corporate Headquarters:
Cisco Systems, Inc., 170 West Tasman Drive, San Jose, CA 95134-1706 USA

Copyright © 2005 Cisco Systems, Inc. All rights reserved.

Memory Options and Upgrade Kits

Table 1 describes memory sizing for the various Cisco 1700 series routers.

Table 1 *Memory Options for Cisco 1700 Series Routers*

Product Number	Default Memory		Maximum Memory		Comments
	Flash	DRAM	Flash	DRAM	
Cisco 1710-VPN-M/K9	16 MB	64 MB	16 MB	64 MB	Flash memory and DRAM not upgradable
Cisco 1720	8 MB	32 MB	16 MB	48 MB	16-MB DRAM in DIMM slot
Cisco 1721	32 MB	64 MB	32 MB	128 MB	Flash memory not upgradable
Cisco 1750	4 MB	16 MB	16 MB	48 MB	
Cisco 1751	32 MB	64 MB	32 MB	128 MB	Flash memory not upgradable
Cisco 1751-V	32 MB	96 MB	32 MB	128 MB	Flash memory not upgradable
Cisco 1760	32 MB	64 MB	64 MB	160 MB	
Cisco 1760-V	32 MB	96 MB	64 MB	160 MB	

Table 2 describes the Cisco parts to which this document applies.

Table 2 *Cisco 1700 Series Router Memory Upgrades*

Description	Router	Cisco Part Number
16-MB SDRAM DIMM	Cisco 1720, 1721, 1750, 1751, 1751-V, 1760, 1760-V	MEM1700-16D=
32-MB SDRAM DIMM	Cisco 1720, 1721, 1750, 1751, 1751-V, 1760, 1760-V	MEM1700-32D=
64-MB SDRAM DIMM	Cisco 1721, 1751, 1751-V, 1760, 1760-V	MEM1700-64D=
128-MB SDRAM DIMM*	Cisco 1760, 1760-V	MEM1700-64U160D=
8-MB mini-flash module	Cisco 1720, 1750	MEM1700-8MFC=
16-MB mini-flash module	Cisco 1720, 1750	MEM1700-16MFC=
8-MB mini-flash SIMM	Cisco 1760, 1760-V	MEM1700-8MFS
16-MB mini-flash SIMM	Cisco 1760, 1760-V	MEM1700-16MFS
32-MB mini-flash SIMM	Cisco 1760, 1760-V	MEM1700-32MFS
64-MB mini-flash SIMM	Cisco 1760, 1760-V	MEM1700-64MFS

*A maximum of 160 MB DRAM is recognized in the Cisco 1760 and Cisco 1760-V routers.

Safety Warnings

Safety warnings appear throughout this publication in procedures that can harm you if they are performed incorrectly. A warning symbol precedes each warning statement.

Warning Definition



Warning

IMPORTANT SAFETY INSTRUCTIONS

This warning symbol means danger. You are in a situation that could cause bodily injury. Before you work on any equipment, be aware of the hazards involved with electrical circuitry and be familiar with standard practices for preventing accidents. Use the statement number provided at the end of each warning to locate its translation in the translated safety warnings that accompanied this device. Statement 1071

SAVE THESE INSTRUCTIONS

Waarschuwing

BELANGRIJKE VEILIGHEIDSINSTRUCTIES

Dit waarschuwingssymbool betekent gevaar. U verkeert in een situatie die lichamelijk letsel kan veroorzaken. Voordat u aan enige apparatuur gaat werken, dient u zich bewust te zijn van de bij elektrische schakelingen betrokken risico's en dient u op de hoogte te zijn van de standaard praktijken om ongelukken te voorkomen. Gebruik het nummer van de verklaring onderaan de waarschuwing als u een vertaling van de waarschuwing die bij het apparaat wordt geleverd, wilt raadplegen.

BEWAAR DEZE INSTRUCTIES

Varoitus

TÄRKEITÄ TURVALLISUUSOHJEITA

Tämä varoitusmerkki merkitsee vaaraa. Tilanne voi aiheuttaa ruumiillisia vammoja. Ennen kuin käsittelet laitteistoa, huomioi sähköpiirien käsittelemiseen liittyvät riskit ja tutustu onnettomuuksien yleisiin ehkäisytapoihin. Turvallisuusvaroitusten käännökset löytyvät laitteen mukana toimitettujen käännettyjen turvallisuusvaroitusten joukosta varoitusten lopussa näkyvien lausuntonumeroiden avulla.

SÄILYTÄ NÄMÄ OHJEET

Attention

IMPORTANTES INFORMATIONS DE SÉCURITÉ

Ce symbole d'avertissement indique un danger. Vous vous trouvez dans une situation pouvant entraîner des blessures ou des dommages corporels. Avant de travailler sur un équipement, soyez conscient des dangers liés aux circuits électriques et familiarisez-vous avec les procédures couramment utilisées pour éviter les accidents. Pour prendre connaissance des traductions des avertissements figurant dans les consignes de sécurité traduites qui accompagnent cet appareil, référez-vous au numéro de l'instruction situé à la fin de chaque avertissement.

CONSERVEZ CES INFORMATIONS

Warnung WICHTIGE SICHERHEITSHINWEISE

Dieses Warnsymbol bedeutet Gefahr. Sie befinden sich in einer Situation, die zu Verletzungen führen kann. Machen Sie sich vor der Arbeit mit Geräten mit den Gefahren elektrischer Schaltungen und den üblichen Verfahren zur Vorbeugung vor Unfällen vertraut. Suchen Sie mit der am Ende jeder Warnung angegebenen Anweisungsnummer nach der jeweiligen Übersetzung in den übersetzten Sicherheitshinweisen, die zusammen mit diesem Gerät ausgeliefert wurden.

BEWAHREN SIE DIESE HINWEISE GUT AUF.

Avvertenza IMPORTANTI ISTRUZIONI SULLA SICUREZZA

Questo simbolo di avvertenza indica un pericolo. La situazione potrebbe causare infortuni alle persone. Prima di intervenire su qualsiasi apparecchiatura, occorre essere al corrente dei pericoli relativi ai circuiti elettrici e conoscere le procedure standard per la prevenzione di incidenti. Utilizzare il numero di istruzione presente alla fine di ciascuna avvertenza per individuare le traduzioni delle avvertenze riportate in questo documento.

CONSERVARE QUESTE ISTRUZIONI

Advarsel VIKTIGE SIKKERHETSINSTRUKSJONER

Dette advarselssymbolet betyr fare. Du er i en situasjon som kan føre til skade på person. Før du begynner å arbeide med noe av utstyret, må du være oppmerksom på farene forbundet med elektriske kretser, og kjenne til standardprosedyrer for å forhindre ulykker. Bruk nummeret i slutten av hver advarsel for å finne oversettelsen i de oversatte sikkerhetsadvarslene som fulgte med denne enheten.

TA VARE PÅ DISSE INSTRUKSJONENE

Aviso INSTRUÇÕES IMPORTANTES DE SEGURANÇA

Este símbolo de aviso significa perigo. Você está em uma situação que poderá ser causadora de lesões corporais. Antes de iniciar a utilização de qualquer equipamento, tenha conhecimento dos perigos envolvidos no manuseio de circuitos elétricos e familiarize-se com as práticas habituais de prevenção de acidentes. Utilize o número da instrução fornecido ao final de cada aviso para localizar sua tradução nos avisos de segurança traduzidos que acompanham este dispositivo.

GUARDE ESTAS INSTRUÇÕES

¡Advertencia! INSTRUCCIONES IMPORTANTES DE SEGURIDAD

Este símbolo de aviso indica peligro. Existe riesgo para su integridad física. Antes de manipular cualquier equipo, considere los riesgos de la corriente eléctrica y familiarícese con los procedimientos estándar de prevención de accidentes. Al final de cada advertencia encontrará el número que le ayudará a encontrar el texto traducido en el apartado de traducciones que acompaña a este dispositivo.

GUARDE ESTAS INSTRUCCIONES

Varning! VIKTIGA SÄKERHETSANVISNINGAR

Denna varningssignal signalerar fara. Du befinner dig i en situation som kan leda till personskada. Innan du utför arbete på någon utrustning måste du vara medveten om farorna med elkretsar och känna till vanliga förfaranden för att förebygga olyckor. Använd det nummer som finns i slutet av varje varning för att hitta dess översättning i de översatta säkerhetsvarningar som medföljer denna anordning.

SPARA DESSA ANVISNINGAR**Figyelem FONTOS BIZTONSÁGI ELOÍRÁSOK**

Ez a figyelmeztető jel veszélyre utal. Sérülésveszélyt rejtő helyzetben van. Mielőtt bármely berendezésen munkát végezte, legyen figyelemmel az elektromos áramkörök okozta kockázatokra, és ismerkedjen meg a szokásos balesetvédelmi eljárásokkal. A kiadványban szereplő figyelmeztetések fordítása a készülékhez mellékelt biztonsági figyelmeztetések között található; a fordítás az egyes figyelmeztetések végén látható szám alapján kereshető meg.

ORIZZE MEG EZEKET AZ UTASÍTÁSOKAT!**Предупреждение ВАЖНЫЕ ИНСТРУКЦИИ ПО СОБЛЮДЕНИЮ ТЕХНИКИ БЕЗОПАСНОСТИ**

Этот символ предупреждения обозначает опасность. То есть имеет место ситуация, в которой следует опасаться телесных повреждений. Перед эксплуатацией оборудования выясните, каким опасностям может подвергаться пользователь при использовании электрических цепей, и ознакомьтесь с правилами техники безопасности для предотвращения возможных несчастных случаев. Воспользуйтесь номером заявления, приведенным в конце каждого предупреждения, чтобы найти его переведенный вариант в переводе предупреждений по безопасности, прилагаемом к данному устройству.

СОХРАНИТЕ ЭТИ ИНСТРУКЦИИ**警告 重要的安全性说明**

此警告符号代表危险。您正处于可能受到严重伤害的工作环境中。在您使用设备开始工作之前，必须充分意识到触电的危险，并熟练掌握防止事故发生的标准工作程序。请根据每项警告结尾提供的声明号码来找到此设备的安全性警告说明的翻译文本。

请保存这些安全性说明

警告 安全上の重要な注意事項

「危険」の意味です。人身事故を予防するための注意事項が記述されています。装置の取り扱い作業を行うときは、電気回路の危険性に注意し、一般的な事故防止策に留意してください。警告の各国語版は、各注意事項の番号を基に、装置に付属の「Translated Safety Warnings」を参照してください。

これらの注意事項を保管しておいてください。

주의 **중요 안전 지침**

이 경고 기호는 위험을 나타냅니다. 작업자가 신체 부상을 일으킬 수 있는 위험한 환경에 있습니다. 장비에 작업을 수행하기 전에 전기 회로와 관련된 위험을 숙지하고 표준 작업 관례를 숙지하여 사고를 방지하십시오. 각 경고의 마지막 부분에 있는 경고문 번호를 참조하여 이 장치와 함께 제공되는 번역된 안전 경고문에서 해당 번역문을 찾으십시오.

이 지시 사항을 보관하십시오.

Aviso **INSTRUÇÕES IMPORTANTES DE SEGURANÇA**

Este símbolo de aviso significa perigo. Você se encontra em uma situação em que há risco de lesões corporais. Antes de trabalhar com qualquer equipamento, esteja ciente dos riscos que envolvem os circuitos elétricos e familiarize-se com as práticas padrão de prevenção de acidentes. Use o número da declaração fornecido ao final de cada aviso para localizar sua tradução nos avisos de segurança traduzidos que acompanham o dispositivo.

GUARDE ESTAS INSTRUÇÕES**Advarsel** **VIGTIGE SIKKERHEDSANVISNINGER**

Dette advarselssymbol betyder fare. Du befinder dig i en situation med risiko for legemeskadedigelse. Før du begynder arbejde på udstyr, skal du være opmærksom på de involverede risici, der er ved elektriske kredsløb, og du skal sætte dig ind i standardprocedurer til undgåelse af ulykker. Brug erklæringsnummeret efter hver advarsel for at finde oversættelsen i de oversatte advarsler, der fulgte med denne enhed.

GEM DISSE ANVISNINGER**تحذير****إرشادات الأمان الهامة**

يوضح رمز التحذير هذا وجود خطر. وهذا يعني أنك متواجد في مكان قد ينتج عنه التعرض لإصابات. قبل بدء العمل، احذر مخاطر التعرض للصدمة الكهربائية وكن على علم بالإجراءات القياسية للحيولة دون وقوع أي حوادث. استخدم رقم البيان الموجود في آخر كل تحذير لتحديد مكان ترجمته داخل تحذيرات الأمان المترجمة التي تأتي مع الجهاز. قم بحفظ هذه الإرشادات

Upozorenje **VAŽNE SIGURNOSNE NAPOMENE**

Ovaj simbol upozorenja predstavlja opasnost. Nalazite se u situaciji koja može prouzročiti tjelesne ozljede. Prije rada s bilo kojim uređajem, morate razumjeti opasnosti vezane uz električne sklopove, te biti upoznati sa standardnim načinima izbjegavanja nesreća. U prevedenim sigurnosnim upozorenjima, priloženima uz uređaj, možete prema broju koji se nalazi uz pojedino upozorenje pronaći i njegov prijevod.

SAČUVAJTE OVE UPUTE

Upozornění DŮLEŽITÉ BEZPEČNOSTNÍ POKYNY

Tento upozorňující symbol označuje nebezpečí. Jste v situaci, která by mohla způsobit nebezpečí úrazu. Před prací na jakémkoliv vybavení si uvědomte nebezpečí související s elektrickými obvody a seznamte se se standardními opatřeními pro předcházení úrazům. Podle čísla na konci každého upozornění vyhledejte jeho překlad v přeložených bezpečnostních upozorněních, která jsou přiložena k zařízení.

USCHOVEJTE TYTO POKYNY**Προειδοποίηση ΣΗΜΑΝΤΙΚΕΣ ΟΔΗΓΙΕΣ ΑΣΦΑΛΕΙΑΣ**

Αυτό το προειδοποιητικό σύμβολο σημαίνει κίνδυνο. Βρίσκεστε σε κατάσταση που μπορεί να προκαλέσει τραυματισμό. Πριν εργαστείτε σε οποιοδήποτε εξοπλισμό, να έχετε υπόψη σας τους κινδύνους που σχετίζονται με τα ηλεκτρικά κυκλώματα και να έχετε εξοικειωθεί με τις συνήθειες πρακτικές για την αποφυγή ατυχημάτων. Χρησιμοποιήστε τον αριθμό δήλωσης που παρέχεται στο τέλος κάθε προειδοποίησης, για να εντοπίσετε τη μετάφρασή της στις μεταφρασμένες προειδοποιήσεις ασφαλείας που συνοδεύουν τη συσκευή.

ΦΥΛΑΞΤΕ ΑΥΤΕΣ ΤΙΣ ΟΔΗΓΙΕΣ**אזהרה****הוראות בטיחות חשובות**

סימן אזהרה זה מסמל סכנה. אתה נמצא במצב העלול לגרום לפציעה. לפני שתעבוד עם ציוד כלשהו, עליך להיות מודע לסכנות הכרוכות במגעלים חשמליים ולהכיר את הנהלים המקובלים למניעת תאונות. השתמש במספר ההוראה המסופק בסופה של כל אזהרה כדי לאתר את התרגום באזהרות הבטיחות המתורגמות שמצורפות להתקן.

שמור הוראות אלה**Opomena VAŽNI BEZBEDNOSNI NAPATSTVIJA**

Симболот за предупредување значи опасност. Се наоѓате во ситуација што може да предизвика телесни повреди. Пред да работите со опремата, бидете свесни за ризикот што постои кај електричните кола и треба да ги познавате стандардните постапки за спречување на несреќни случаи. Искористете го бројот на изјавата што се наоѓа на крајот на секое предупредување за да го најдете неговиот период во преведените безбедносни предупредувања што се испорачани со уредот.

ЧУВАЈТЕ ГИ ОБИЕ НАПАТСТВИЈА**Ostrzeżenie WAŻNE INSTRUKCJE DOTYCZĄCE BEZPIECZEŃSTWA**

Ten symbol ostrzeżenia oznacza niebezpieczeństwo. Zachodzi sytuacja, która może powodować obrażenia ciała. Przed przystąpieniem do prac przy urządzeniach należy zapoznać się z zagrożeniami związanymi z układami elektrycznymi oraz ze standardowymi środkami zapobiegania wypadkom. Na końcu każdego ostrzeżenia podano numer, na podstawie którego można odszukać tłumaczenie tego ostrzeżenia w dołączonym do urządzenia dokumencie z tłumaczeniami ostrzeżeń.

NINIEJSZE INSTRUKCJE NALEŻY ZACHOWAĆ

Upozornenie DÔLEŽITÉ BEZPEČNOSTNÉ POKYNY

Tento varovný symbol označuje nebezpečenstvo. Nachádzate sa v situácii s nebezpečenstvom úrazu. Pred prácou na akomkoľvek vybavení si uvedomte nebezpečenstvo súvisiace s elektrickými obvodmi a oboznámte sa so štandardnými opatreniami na predchádzanie úrazom. Podľa čísla na konci každého upozornenia vyhľadajte jeho preklad v preložených bezpečnostných upozorneniach, ktoré sú priložené k zariadeniu.

USCHOVAJTE SI TENTO NÁVOD

Power Supply Warnings

The following warnings apply when you are installing a card or working with the power supply:



Warning

Read the installation instructions before you connect the system to its power source. Statement 1004



Warning

Only trained and qualified personnel should be allowed to install, replace, or service this equipment. Statement 1030



Warning

Before working on a system that has an on/off switch, turn OFF the power and unplug the power cord. Statement 1



Warning

Ultimate disposal of this product should be handled according to all national laws and regulations. Statement 1040

Electrical Warnings

The following warnings apply when you are working with electricity:



Warning

To avoid electric shock, do not connect safety extra-low voltage (SELV) circuits to telephone-network voltage (TNV) circuits. LAN ports contain SELV circuits, and WAN ports contain TNV circuits. Some LAN and WAN ports both use RJ-45 connectors. Use caution when connecting cables. Statement 1021



Warning

No operator-serviceable parts inside. Refer servicing to qualified personnel. Statement 81

Follow these guidelines when working on equipment powered by electricity:

- Locate the emergency power-off switch in the room in which you are working. Then, if an electrical accident occurs, you can quickly shut the power off.
- Before working on the router, turn off power to the router and unplug the power cord.

- Disconnect all power before doing the following:
 - Installing or removing a router chassis
 - Working near power supplies
- Do not work alone if potentially hazardous conditions exist.
- Never assume that power is disconnected from a circuit. Always check.
- Look carefully for possible hazards in your work area, such as moist floors, ungrounded power extension cables, and missing safety grounds.

If an electrical accident occurs, proceed as follows:

- Use caution; do not become a victim yourself.
- Turn off power to the router.
- If possible, send another person to get medical aid. Otherwise, determine the condition of the victim and then call for help.
- Determine if the victim needs rescue breathing or external cardiac compressions; then take appropriate action.

Preventing Electrostatic Discharge Damage

Electrostatic discharge (ESD) can damage equipment and impair electrical circuitry. It can occur when printed circuit cards are improperly handled and can result in complete or intermittent failures. Always follow ESD prevention procedures when removing and replacing cards. Ensure that the router chassis is electrically connected to earth ground. Wear an ESD-preventive wrist strap, ensuring that it makes good skin contact. Connect the clip to an unpainted surface of the chassis frame to safely channel unwanted ESD voltages to ground. To guard against ESD damage and shocks, the wrist strap and cord must be used properly. If no wrist strap is available, ground yourself by touching the metal part of the chassis.



Caution

For safety, periodically check the resistance value of the antistatic strap, which should be between 1 and 10 megohms (Mohm).

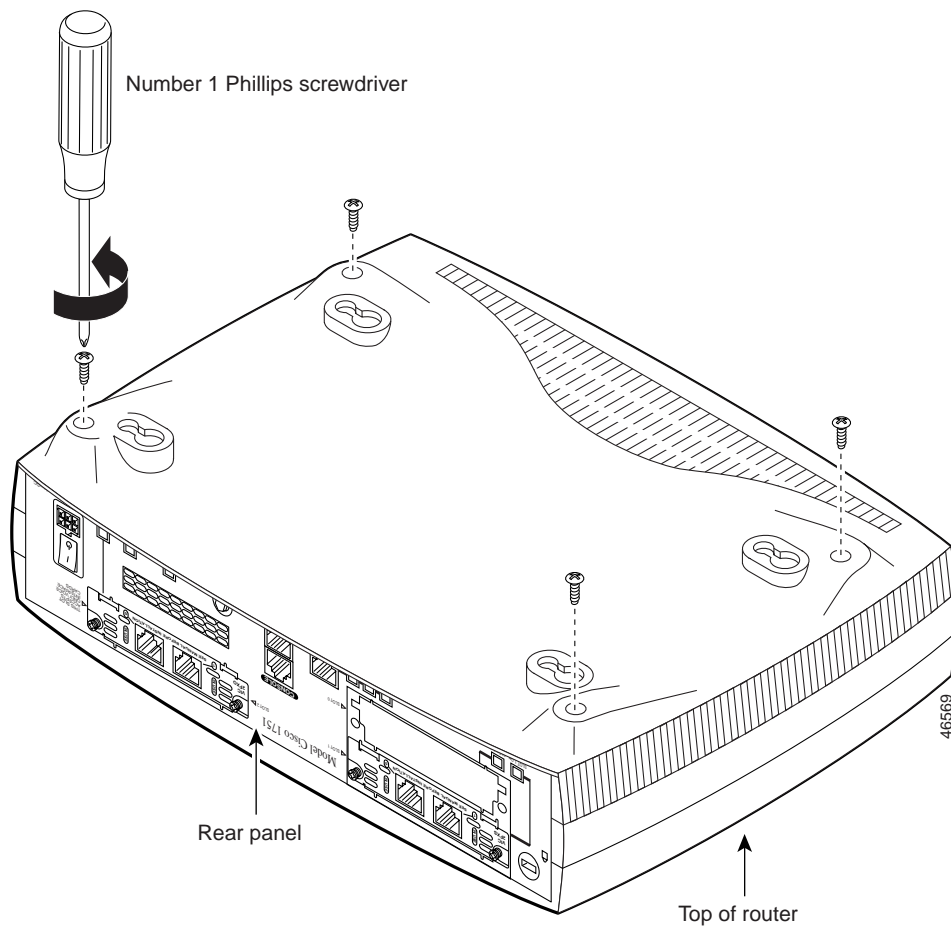
Opening the Chassis of a Desktop Router

To upgrade router memory, you must open the chassis. Follow the steps below to open the chassis of a Cisco 1720, Cisco 1721, Cisco 1750, or Cisco 1751 router.

Opening the chassis requires a number 1 Phillips screwdriver.

-
- Step 1** Make sure the router is turned off and is disconnected from the power supply.
 - Step 2** Turn the router upside down, and rest the router on a flat surface.
 - Step 3** Use the Phillips screwdriver to remove the four screws that hold the top and bottom of the chassis together, as shown in [Figure 1](#).

Figure 1 *Removing the Chassis Screws*



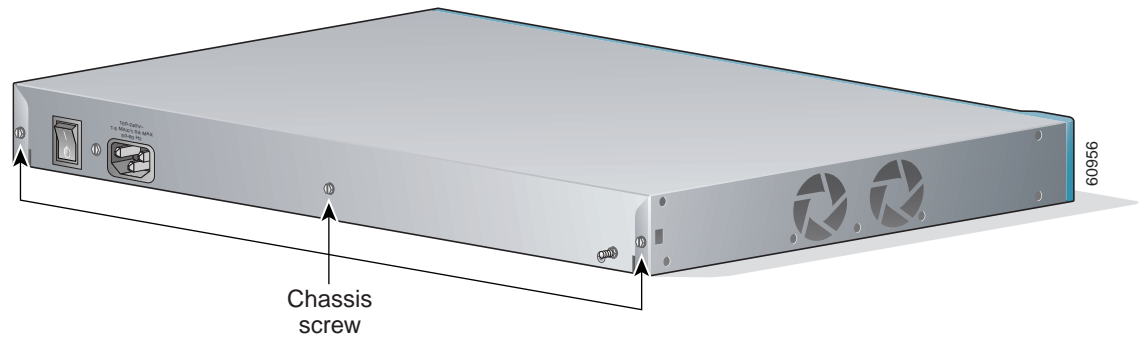
- Step 4** Turn the router back to its original position (right-side up).
- Step 5** Gently pull the top of the router (which is facing up toward you) up and away from the bottom of the router (which is resting on the flat surface).
- Step 6** (Optional) Disconnect the fan cable from the connector labeled FAN on the motherboard.
- Step 7** Place the router bottom on an antistatic mat, and begin installing memory.

Opening the Chassis of a Rack-Mount Router

Follow the steps below to open the chassis of a Cisco 1760 router. Opening the chassis requires a flat-head screwdriver.

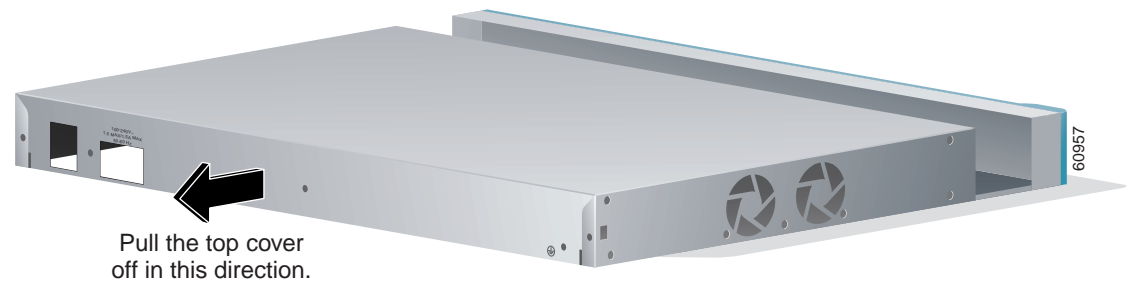
- Step 1** Make sure that the router is turned off and is disconnected from the power supply.
- Step 2** Use a flat-head screwdriver to remove the five screws that hold the top and bottom of the chassis together, as shown in [Figure 2](#).

Figure 2 *Removing the Cisco 1760 Chassis Screws*



Step 3 Gently slide the top cover of the router toward you, as shown in [Figure 3](#).

Figure 3 *Removing the Top Cover of the Router*



Step 4 Place the router bottom on an antistatic mat, and begin installing modules.

Locating Modules

[Figure 4 on page 12](#) and [Figure 6 on page 14](#) show where to install DIMMs and mini-flash modules on the Cisco 1720 and Cisco 1750 router motherboards. [Figure 5 on page 13](#) shows where to install DIMMs on the Cisco 1721 router motherboard. [Figure 7 on page 15](#) shows where to install DIMMs on the Cisco 1751 router motherboard. [Figure 8 on page 15](#) shows where to install DIMMs and mini-flash SIMMs on the Cisco 1760 router motherboard.



Note There are no mini-flash modules on the Cisco 1721, Cisco 1751 or Cisco 1760 routers.

Figure 4 Cisco 1720 Motherboard—Memory Locations

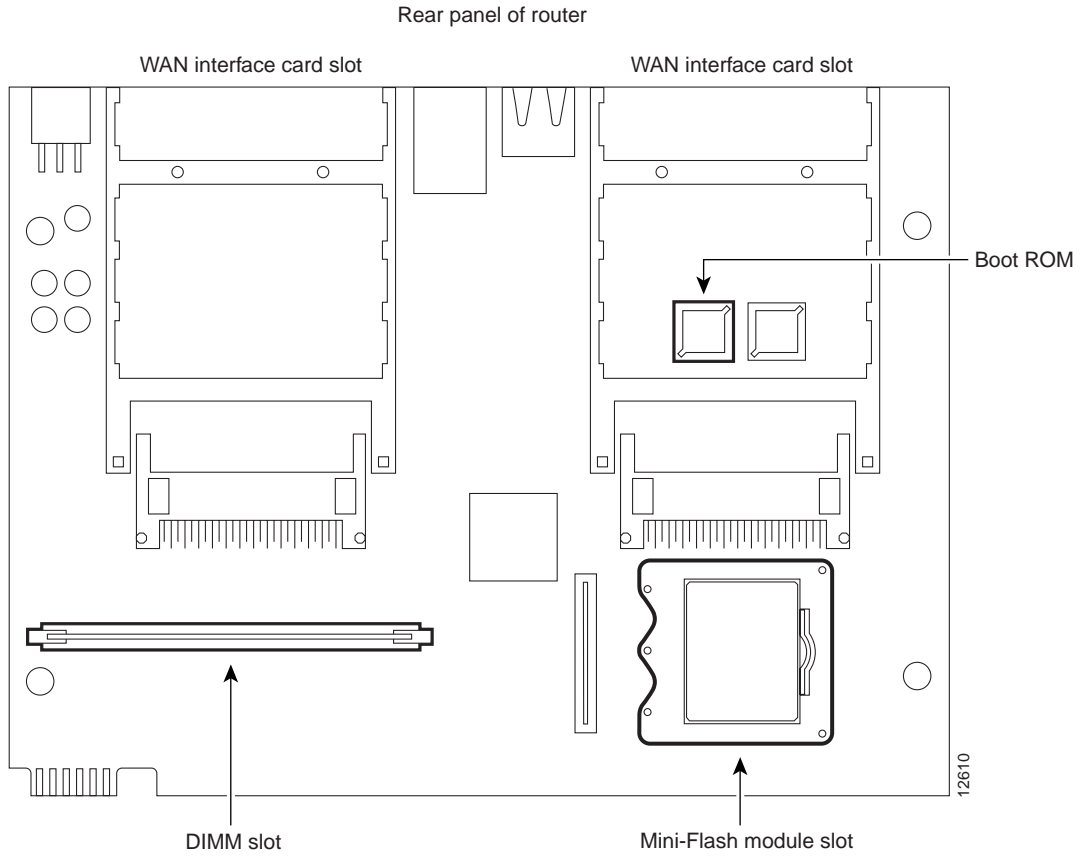


Figure 5 Cisco 1721 Motherboard—Memory Locations

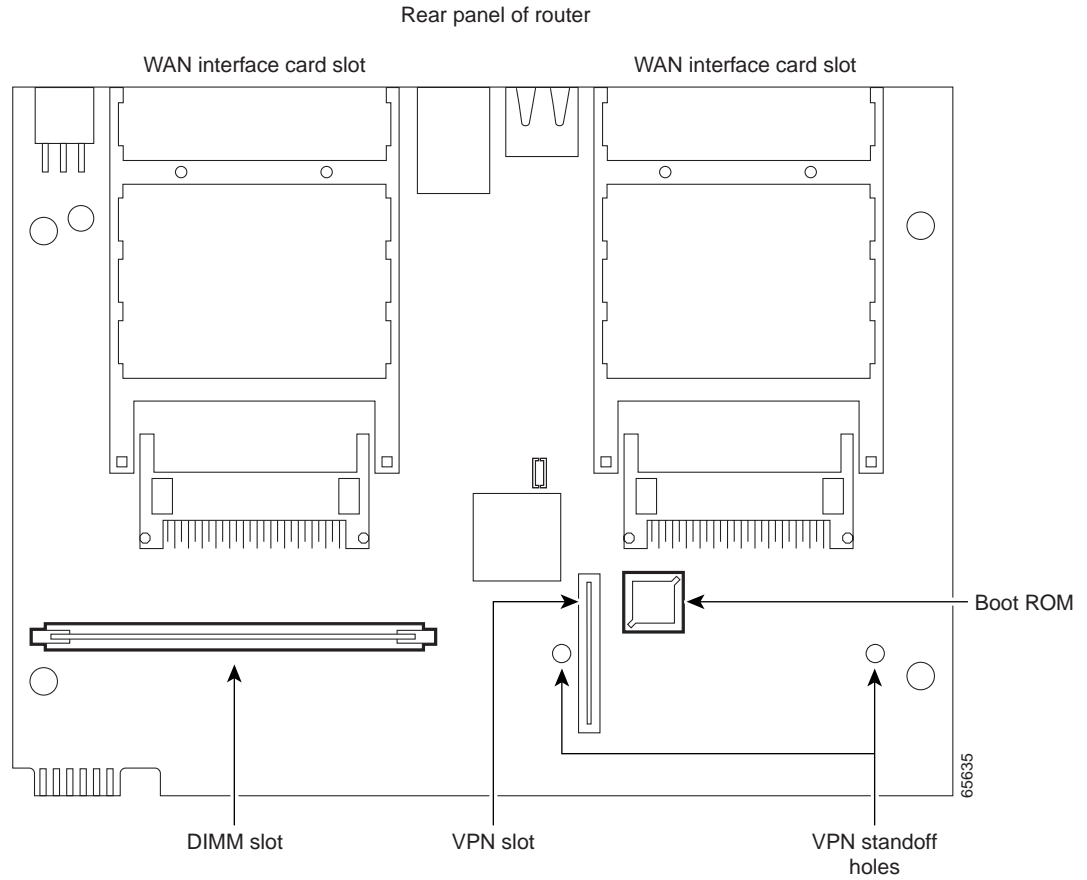


Figure 6 Cisco 1750 Motherboard—Memory Locations

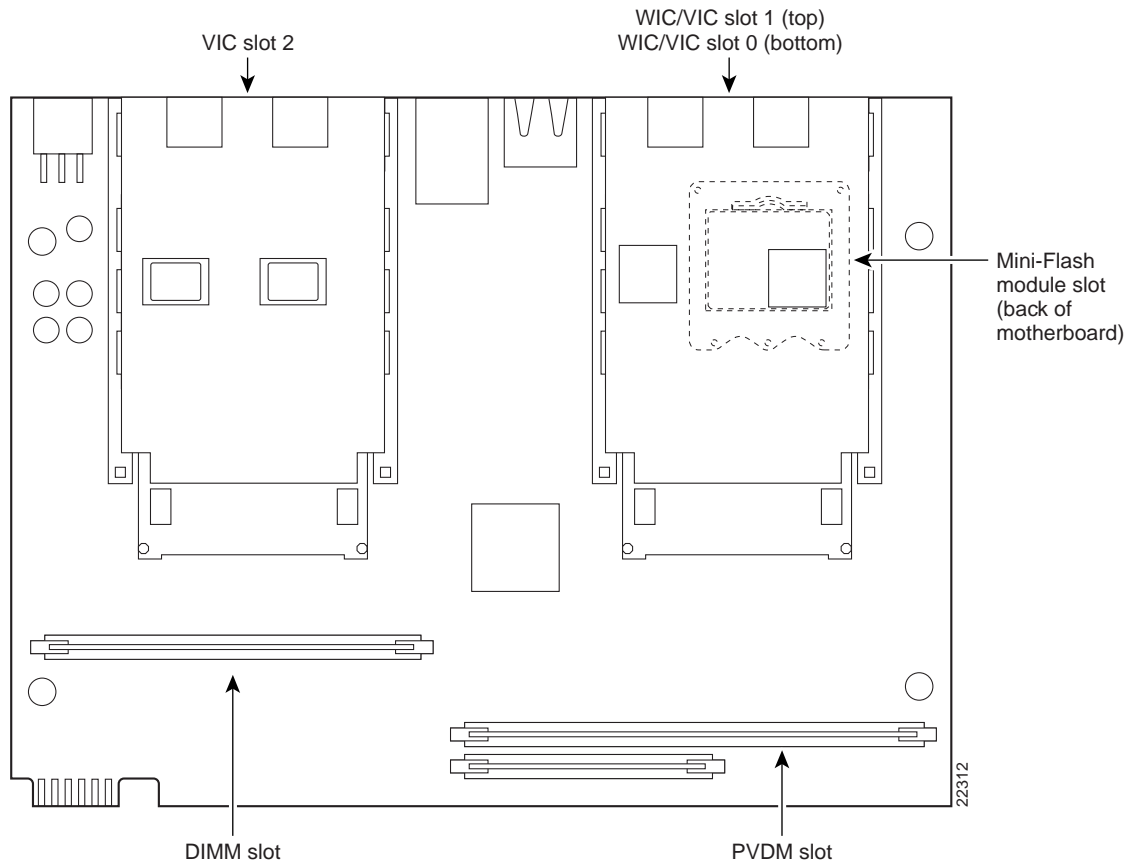


Figure 7 Cisco 1751 Motherboard—Memory Locations

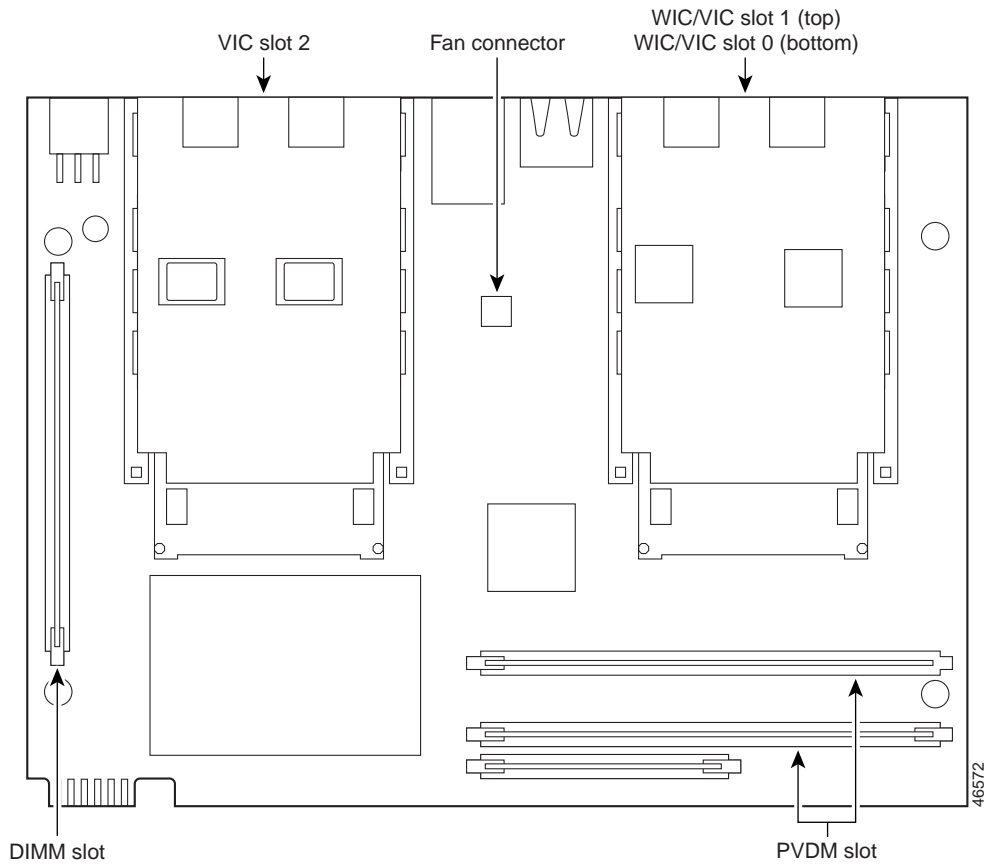
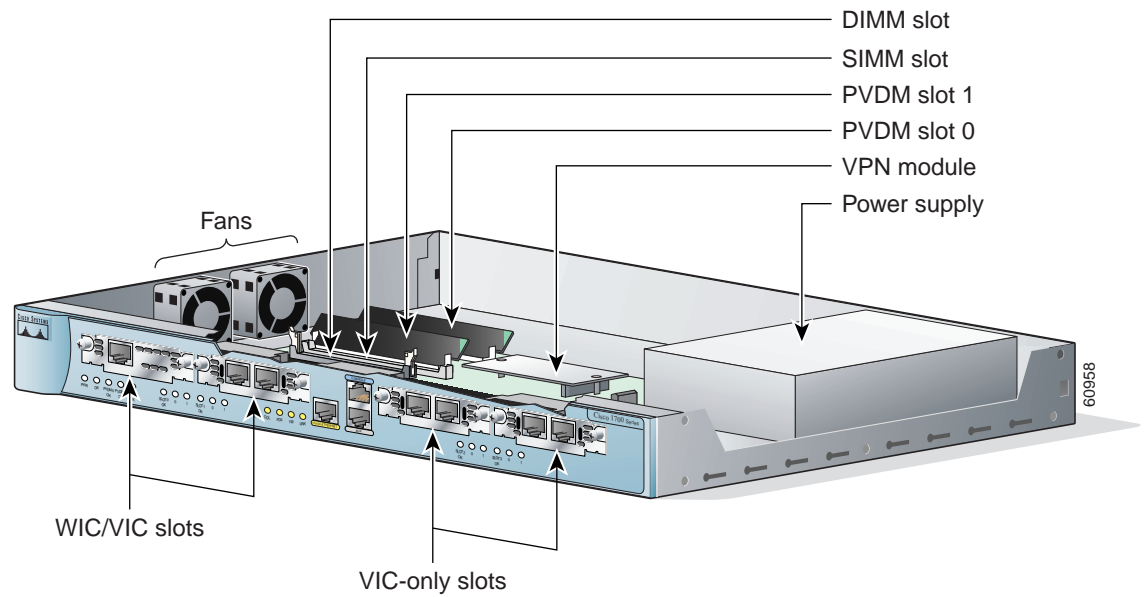


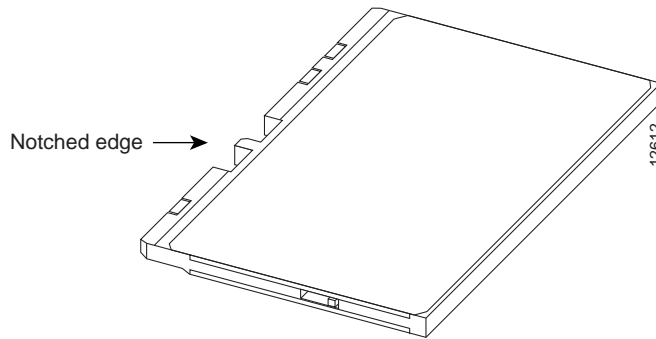
Figure 8 Cisco 1760 Motherboard—Memory Locations



Installing a Mini-Flash Module

You can install a mini-flash module (shown in [Figure 9](#) below) in a Cisco 1720 or Cisco 1750 router to increase the amount of router flash memory. (This section does not apply to Cisco 1721, Cisco 1751 or Cisco 1760 routers.)

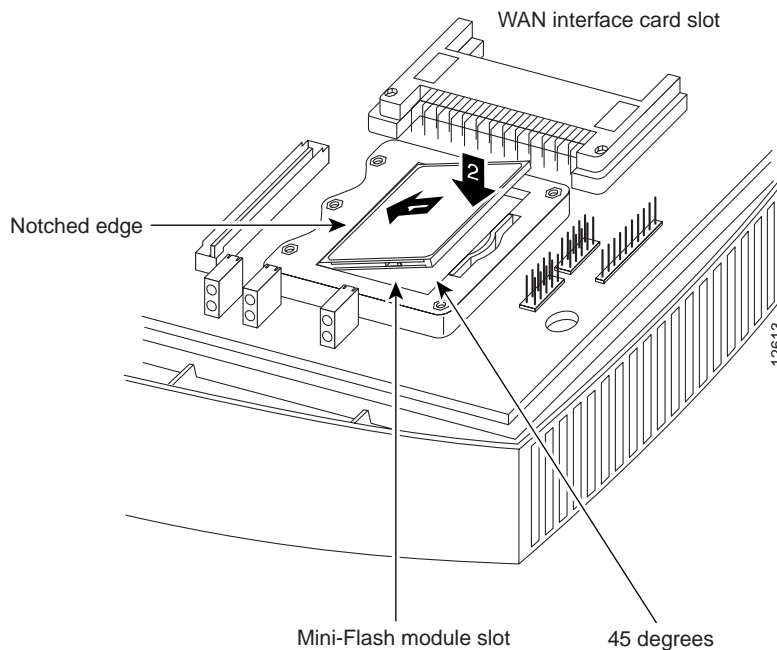
Figure 9 *Mini-Flash Module*



Take the following steps to install a mini-flash module on the motherboard:

- Step 1** Locate the module slot on the motherboard, shown in [Figure 4](#) on page 12 or [Figure 6](#) on page 14.
- Step 2** Hold the module with the notched edge away from you.
- Step 3** Insert the module into the module slot at a 45-degree angle, as shown in [Figure 10](#) below.
- Step 4** Press down firmly on the module until you hear a clicking sound and the module is firmly inserted in the slot.

Figure 10 *Installing a Mini-Flash Module*

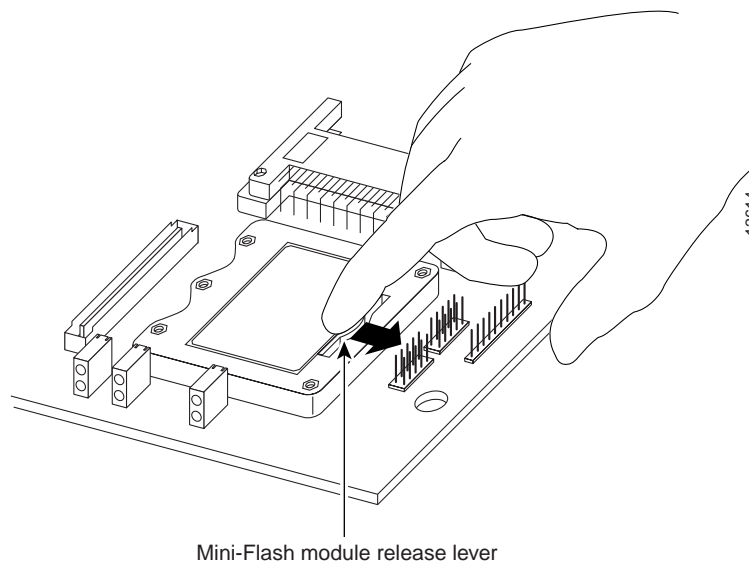


Removing a Mini-Flash Module

Take the following steps to remove a mini-flash module:

- Step 1** Insert your index finger between the mini-flash module and the mini-flash module release lever, as shown in [Figure 11](#) below.
- Step 2** Firmly pull the release lever away from the module until the module pops up and away from the module slot.

Figure 11 Removing a Mini-Flash Module



Installing a Dual In-Line Memory Module

You can install a dual in-line memory module (DIMM) to increase the amount of dynamic RAM (DRAM) in the Cisco 1720, Cisco 1721, Cisco 1750, Cisco 1751, or Cisco 1760 routers.



Warning

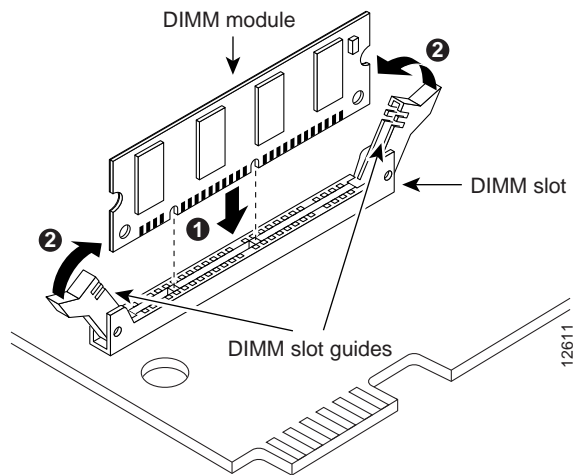
During this procedure, wear grounding wrist straps to avoid ESD damage to the router. Do not directly touch the backplane with your hand or any metal tool, or you could shock yourself. Statement 94

Take the following steps to install a DIMM on the router motherboard:

- Step 1** Locate the DIMM slot on the motherboard of your router. (See [Figure 4](#) through [Figure 8](#) for the location on your router.)
- Step 2** Remove any existing module (the Cisco 1751 router has a blank DIMM) by pulling the DIMM slot guides away from the DIMM and down toward the motherboard.
- Step 3** Hold the replacement DIMM with the notched edge away from you and facing the router.

- Step 4** Insert the DIMM into the DIMM slot, making sure that the notches on the edge of the DIMM are inserted over the bars inside the DIMM slot, as in [Figure 12](#) below.
- Step 5** Firmly press the DIMM into the slot until the two slot guides on each side of the slot move up and over the end of the DIMM, as in [Figure 12](#) below. If the guides do not move up over the edge of the DIMM, move them with your hands.

Figure 12 *Installing a DIMM*



Installing a SIMM

You can install one SIMM to increase the amount of flash memory in the router. Follow these steps to install a SIMM on the router motherboard.



Warning

During this procedure, wear grounding wrist straps to avoid ESD damage to the router. Do not directly touch the backplane with your hand or any metal tool, or you could shock yourself. Statement 94

Take the following steps to install a SIMM on the router motherboard:

- Step 1** Locate the SIMM slot on the motherboard. See [Figure 8 on page 15](#).
- Step 2** Remove any existing SIMM by pulling the locking spring clips on both sides outward and tilting the SIMM free of the clips.
- Step 3** Face the front panel of the router. Hold the SIMM with the component side toward you.

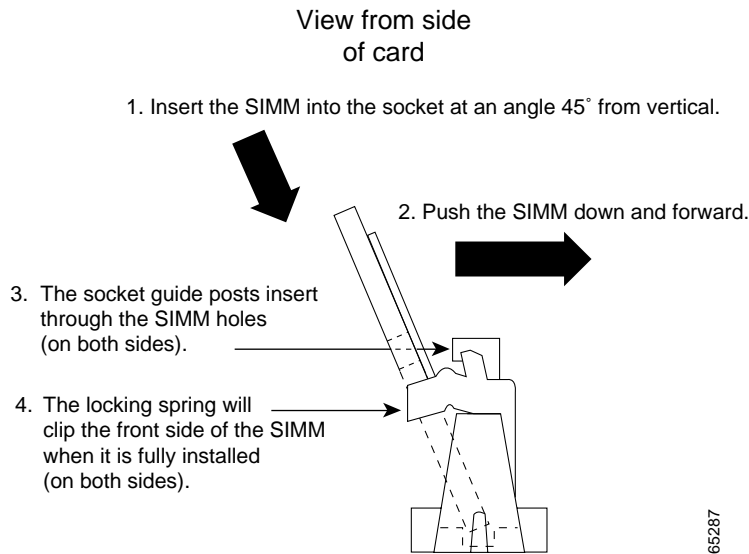


Caution

Handle SIMMs by the card edges only. SIMMs are ESD-sensitive components and can be damaged by mishandling.

- Step 4** Position the SIMM so that the indexing slot in the connector (bottom edge) of the SIMM is lined up with the indexing tab inside the SIMM slot. Tilt the SIMM 45 degrees toward the rear of the router, and insert it into the slot. (See [Figure 13](#) below.) Rock it into its vertical position, using the minimum force necessary. When the SIMM is properly seated, the connector springs click into place.

Figure 13 *Installing a SIMM*



Closing the Chassis of a Desktop Router

After installing memory on the motherboard, follow these steps to close the chassis:

- Step 1** If you disconnected the fan from the motherboard as described in the [“Opening the Chassis of a Desktop Router”](#) section on page 9, reconnect the fan cable to the connector labeled FAN on the motherboard.



Note The fan does not run continuously; it only turns on when the internal temperature of the router becomes too warm.

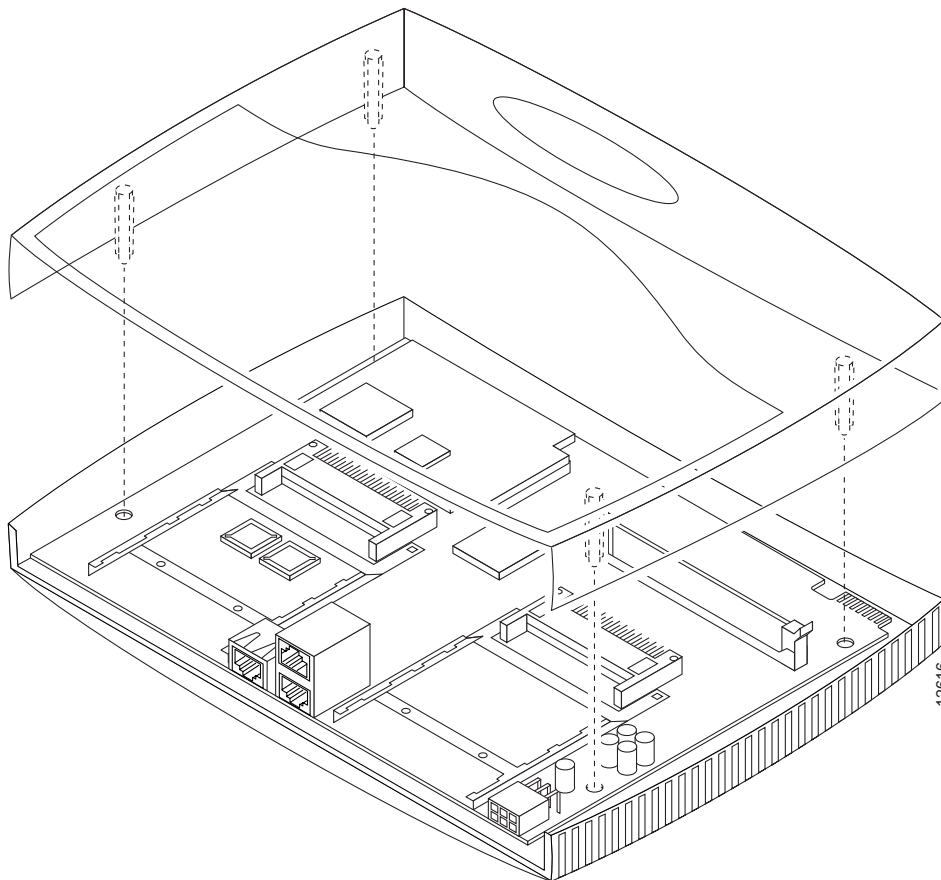
- Step 2** Locate the posts that protrude from the inside of the chassis cover and corresponding openings on the chassis bottom.
- Step 3** Line up the posts with the corresponding openings, as shown in [Figure 14](#) on page 20, and carefully slide the posts into the openings, taking caution not to damage the router motherboard with the posts.



Caution Be careful not to damage the slot guides on the DIMM socket. If the guides are open, caution is necessary while installing the top of the chassis because improper installation can break the guides off the DIMM socket. (The Cisco 1751 router is shipped with a blank DIMM in the slot to keep the guides up and out of the way.)

- Step 4** Replace the screws that you removed when opening the chassis. (See [Figure 1](#) on page 10.)

Figure 14 Closing the Chassis



Closing the Chassis of a Rack-Mount Router

After installing memory or data modules on the motherboard, close the chassis by following these steps:

-
- Step 1 Slide the top cover of the router back on the bottom of the chassis by pushing it in the opposite direction from that shown in [Figure 3 on page 11](#).
 - Step 2 Replace the screws that you removed when you opened the chassis. (See [Figure 2 on page 11](#).)
-

Obtaining Documentation

Cisco documentation and additional literature are available on Cisco.com. Cisco also provides several ways to obtain technical assistance and other technical resources. These sections explain how to obtain technical information from Cisco Systems.

Cisco.com

You can access the most current Cisco documentation at this URL:

<http://www.cisco.com/univercd/home/home.htm>

You can access the Cisco website at this URL:

<http://www.cisco.com>

You can access international Cisco websites at this URL:

http://www.cisco.com/public/countries_languages.shtml

Documentation DVD

Cisco documentation and additional literature are available in a Documentation DVD package, which may have shipped with your product. The Documentation DVD is updated regularly and may be more current than printed documentation. The Documentation DVD package is available as a single unit.

Registered Cisco.com users (Cisco direct customers) can order a Cisco Documentation DVD (product number DOC-DOCDVD=) from the Ordering tool or Cisco Marketplace.

Cisco Ordering tool:

<http://www.cisco.com/en/US/partner/ordering/>

Cisco Marketplace:

<http://www.cisco.com/go/marketplace/>

Ordering Documentation

You can find instructions for ordering documentation at this URL:

http://www.cisco.com/univercd/cc/td/doc/es_inpck/pdi.htm

You can order Cisco documentation in these ways:

- Registered Cisco.com users (Cisco direct customers) can order Cisco product documentation from the Ordering tool:
<http://www.cisco.com/en/US/partner/ordering/>
- Nonregistered Cisco.com users can order documentation through a local account representative by calling Cisco Systems Corporate Headquarters (California, USA) at 408 526-7208 or, elsewhere in North America, by calling 1 800 553-NETS (6387).

Documentation Feedback

You can send comments about technical documentation to bug-doc@cisco.com.

You can submit comments by using the response card (if present) behind the front cover of your document or by writing to the following address:

Cisco Systems
Attn: Customer Document Ordering
170 West Tasman Drive
San Jose, CA 95134-9883

We appreciate your comments.

Cisco Product Security Overview

Cisco provides a free online Security Vulnerability Policy portal at this URL:

http://www.cisco.com/en/US/products/products_security_vulnerability_policy.html

From this site, you can perform these tasks:

- Report security vulnerabilities in Cisco products.
- Obtain assistance with security incidents that involve Cisco products.
- Register to receive security information from Cisco.

A current list of security advisories and notices for Cisco products is available at this URL:

<http://www.cisco.com/go/psirt>

If you prefer to see advisories and notices as they are updated in real time, you can access a Product Security Incident Response Team Really Simple Syndication (PSIRT RSS) feed from this URL:

http://www.cisco.com/en/US/products/products_psirt_rss_feed.html

Reporting Security Problems in Cisco Products

Cisco is committed to delivering secure products. We test our products internally before we release them, and we strive to correct all vulnerabilities quickly. If you think that you might have identified a vulnerability in a Cisco product, contact PSIRT:

- Emergencies—security-alert@cisco.com
- Nonemergencies—psirt@cisco.com



Tip

We encourage you to use Pretty Good Privacy (PGP) or a compatible product to encrypt any sensitive information that you send to Cisco. PSIRT can work from encrypted information that is compatible with PGP versions 2.x through 8.x.

Never use a revoked or an expired encryption key. The correct public key to use in your correspondence with PSIRT is the one that has the most recent creation date in this public key server list:

<http://pgp.mit.edu:11371/pks/lookup?search=psirt%40cisco.com&op=index&exact=on>

In an emergency, you can also reach PSIRT by telephone:

- 1 877 228-7302
- 1 408 525-6532

Obtaining Technical Assistance

For all customers, partners, resellers, and distributors who hold valid Cisco service contracts, Cisco Technical Support provides 24-hour-a-day, award-winning technical assistance. The Cisco Technical Support Website on Cisco.com features extensive online support resources. In addition, Cisco Technical Assistance Center (TAC) engineers provide telephone support. If you do not hold a valid Cisco service contract, contact your reseller.

Cisco Technical Support Website

The Cisco Technical Support Website provides online documents and tools for troubleshooting and resolving technical issues with Cisco products and technologies. The website is available 24 hours a day, 365 days a year, at this URL:

<http://www.cisco.com/techsupport>

Access to all tools on the Cisco Technical Support Website requires a Cisco.com user ID and password. If you have a valid service contract but do not have a user ID or password, you can register at this URL:

<http://tools.cisco.com/RPF/register/register.do>



Note

Use the Cisco Product Identification (CPI) tool to locate your product serial number before submitting a web or phone request for service. You can access the CPI tool from the Cisco Technical Support Website by clicking the **Tools & Resources** link under Documentation & Tools. Choose **Cisco Product Identification Tool** from the Alphabetical Index drop-down list, or click the **Cisco Product Identification Tool** link under Alerts & RMAs. The CPI tool offers three search options: by product ID or model name; by tree view; or for certain products, by copying and pasting **show** command output. Search results show an illustration of your product with the serial number label location highlighted. Locate the serial number label on your product and record the information before placing a service call.

Submitting a Service Request

Using the online TAC Service Request Tool is the fastest way to open S3 and S4 service requests. (S3 and S4 service requests are those in which your network is minimally impaired or for which you require product information.) After you describe your situation, the TAC Service Request Tool provides recommended solutions. If your issue is not resolved using the recommended resources, your service request is assigned to a Cisco TAC engineer. The TAC Service Request Tool is located at this URL:

<http://www.cisco.com/techsupport/servicerequest>

For S1 or S2 service requests or if you do not have Internet access, contact the Cisco TAC by telephone. (S1 or S2 service requests are those in which your production network is down or severely degraded.) Cisco TAC engineers are assigned immediately to S1 and S2 service requests to help keep your business operations running smoothly.

To open a service request by telephone, use one of the following numbers:

Asia-Pacific: +61 2 8446 7411 (Australia: 1 800 805 227)

EMEA: +32 2 704 55 55

USA: 1 800 553-2447

For a complete list of Cisco TAC contacts, go to this URL:

<http://www.cisco.com/techsupport/contacts>

Definitions of Service Request Severity

To ensure that all service requests are reported in a standard format, Cisco has established severity definitions.

Severity 1 (S1)—Your network is “down,” or there is a critical impact to your business operations. You and Cisco will commit all necessary resources around the clock to resolve the situation.

Severity 2 (S2)—Operation of an existing network is severely degraded, or significant aspects of your business operation are negatively affected by inadequate performance of Cisco products. You and Cisco will commit full-time resources during normal business hours to resolve the situation.

Severity 3 (S3)—Operational performance of your network is impaired, but most business operations remain functional. You and Cisco will commit resources during normal business hours to restore service to satisfactory levels.

Severity 4 (S4)—You require information or assistance with Cisco product capabilities, installation, or configuration. There is little or no effect on your business operations.

Obtaining Additional Publications and Information

Information about Cisco products, technologies, and network solutions is available from various online and printed sources.

- Cisco Marketplace provides a variety of Cisco books, reference guides, and logo merchandise. Visit Cisco Marketplace, the company store, at this URL:

<http://www.cisco.com/go/marketplace/>

- *Cisco Press* publishes a wide range of general networking, training and certification titles. Both new and experienced users will benefit from these publications. For current Cisco Press titles and other information, go to Cisco Press at this URL:

<http://www.ciscopress.com>

- *Packet* magazine is the Cisco Systems technical user magazine for maximizing Internet and networking investments. Each quarter, Packet delivers coverage of the latest industry trends, technology breakthroughs, and Cisco products and solutions, as well as network deployment and troubleshooting tips, configuration examples, customer case studies, certification and training information, and links to scores of in-depth online resources. You can access Packet magazine at this URL:

<http://www.cisco.com/packet>

- *iQ Magazine* is the quarterly publication from Cisco Systems designed to help growing companies learn how they can use technology to increase revenue, streamline their business, and expand services. The publication identifies the challenges facing these companies and the technologies to help solve them, using real-world case studies and business strategies to help readers make sound technology investment decisions. You can access iQ Magazine at this URL:

<http://www.cisco.com/go/iqmagazine>

- *Internet Protocol Journal* is a quarterly journal published by Cisco Systems for engineering professionals involved in designing, developing, and operating public and private internets and intranets. You can access the Internet Protocol Journal at this URL:

<http://www.cisco.com/ipj>

- World-class networking training is available from Cisco. You can view current offerings at this URL:

<http://www.cisco.com/en/US/learning/index.html>

Use this document in conjunction with your router installation and configuration guide, the *Regulatory Compliance and Safety Information* document for your router, and the Cisco IOS configuration guides and command references.

CCSP, CCVP, the Cisco Square Bridge logo, Follow Me Browsing, and StackWise are trademarks of Cisco Systems, Inc.; Changing the Way We Work, Live, Play, and Learn, and iQuick Study are service marks of Cisco Systems, Inc.; and Access Registrar, Aironet, ASIST, BPX, Catalyst, CCDA, CCDP, CCIE, CCIP, CCNA, CCNP, Cisco, the Cisco Certified Internetwork Expert logo, Cisco IOS, Cisco Press, Cisco Systems, Cisco Systems Capital, the Cisco Systems logo, Cisco Unity, Empowering the Internet Generation, Enterprise/Solver, EtherChannel, EtherFast, EtherSwitch, Fast Step, FormShare, GigaDrive, GigaStack, HomeLink, Internet Quotient, IOS, IP/TV, iQ Expertise, the iQ logo, iQ Net Readiness Scorecard, LightStream, Linksys, MeetingPlace, MGX, the Networkers logo, Networking Academy, Network Registrar, *Packet*, PIX, Post-Routing, Pre-Routing, ProConnect, RateMUX, ScriptShare, SlideCast, SMARTnet, StrataView Plus, TeleRouter, The Fastest Way to Increase Your Internet Quotient, and TransPath are registered trademarks of Cisco Systems, Inc. and/or its affiliates in the United States and certain other countries.

All other trademarks mentioned in this document or Website are the property of their respective owners. The use of the word partner does not imply a partnership relationship between Cisco and any other company. (0502R)

Installing and Upgrading Memory in Cisco 1700 Series Routers
Copyright © 2005 Cisco Systems, Inc. All rights reserved.

